

Talis Select S
Basin mixer 100 with pop-up waste set
 Surfaces: **Chrome** Article Number: **72042000**

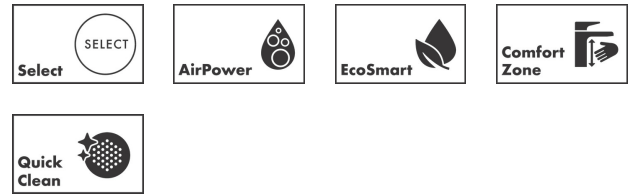


Description

product features

- consists of: Basin mixer, waste set
- ComfortZone 100
- projection 93 mm
- spray type: normal spray
- maximum flow rate at 3 bar: 5 l/min
- Select cartridge with temperature control
- temperature limitation adjustable
- suitable for continuous flow water heaters
- pop-up waste set G 1¼
- material waste set: metal
- connection type: G ¾ connections
- connection dimension: DN15

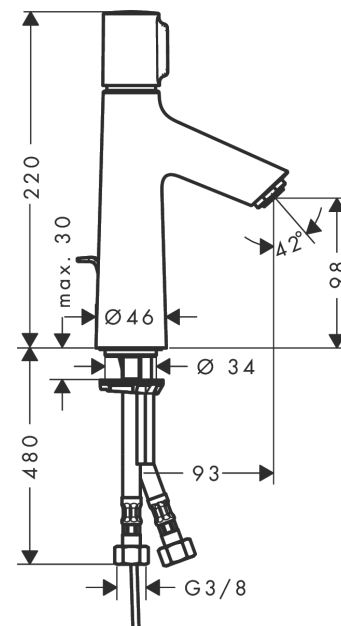
Technology



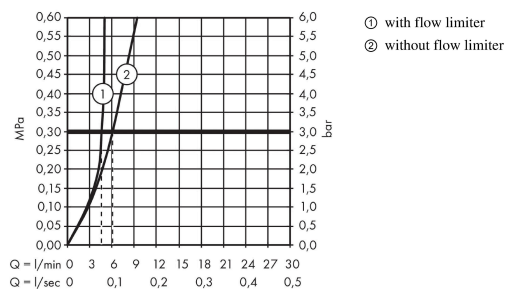
Product image



Scale drawing



Flowchart

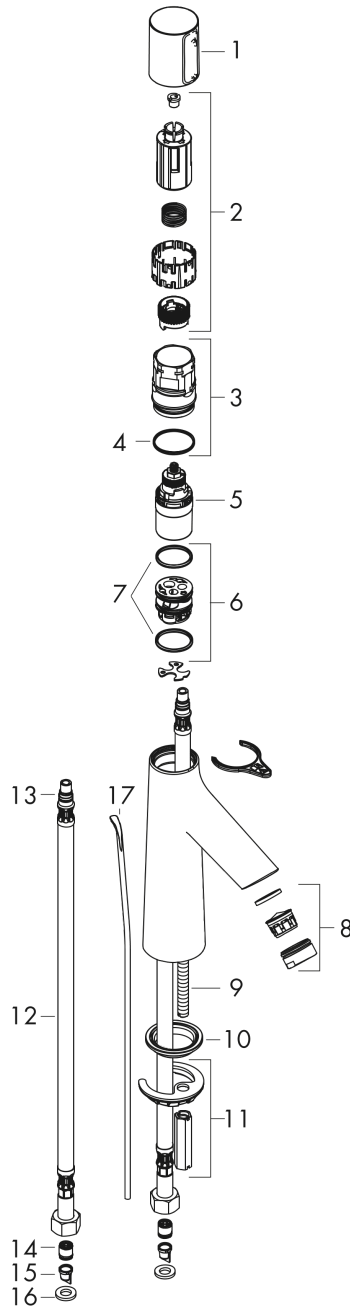


Talis Select S
Basin mixer 100 with pop-up waste set
 Surfaces: **Chrome** Article Number: **72042000**



Exploded Drawing

Year of production: >03/18



Talis Select S

Basin mixer 100 with pop-up waste set

Surfaces: **Chrome** Article Number: **72042000**



Spare part list

Year of production: >03/18

Pos.	Description	Article Number	Price	PU
1	handle	92525000	-	1
2	adapter for handle	92526000	-	1
3	nut	92528000	-	1
4	O-ring 27x1,5	92527000	-	1
5	cartridge, assy	92529000	-	1
6	adapter for cartridge	98866000	-	1
7	O-ring 23x2	98398000	-	1
8	aerator M24x1 (5 l/min)	13185000	-	1
9	screw M8 x 68	97736000	-	1
10	seal Ø 42	98722000	-	1
11	fixing set	96016000	-	1
12	connection hose 600 mm M8x0,75 G3/8	92629000	-	1
13	O-ring 7x1,5	98422000	-	1
14	sealing set	92533000	-	1
15	filter	92532000	-	1
16	non return valve DW 10	96456000	-	1
17	pull rod	96657000	-	1
a	pop up waste	94139000	-	1